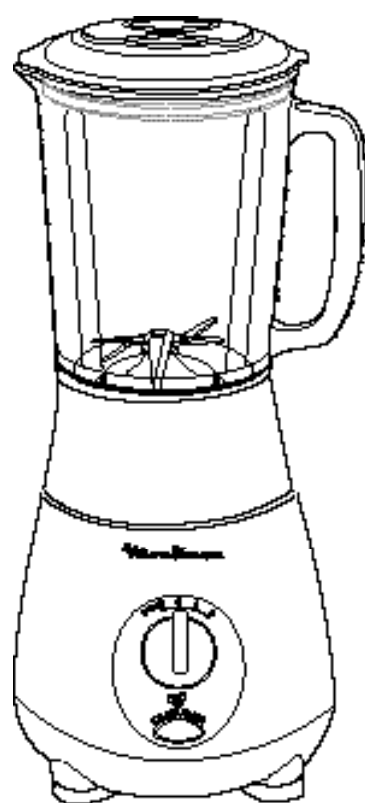
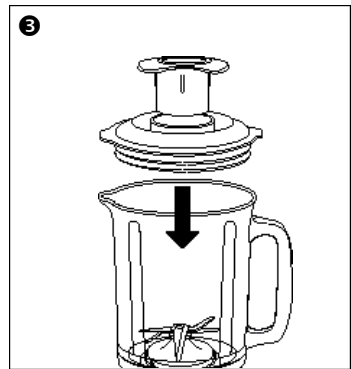
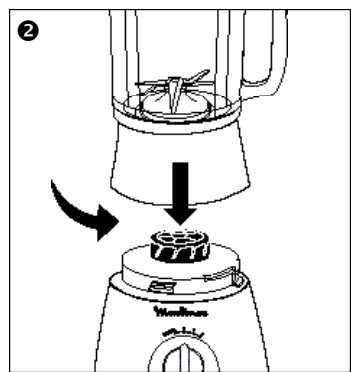
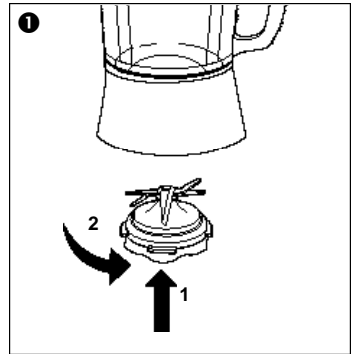
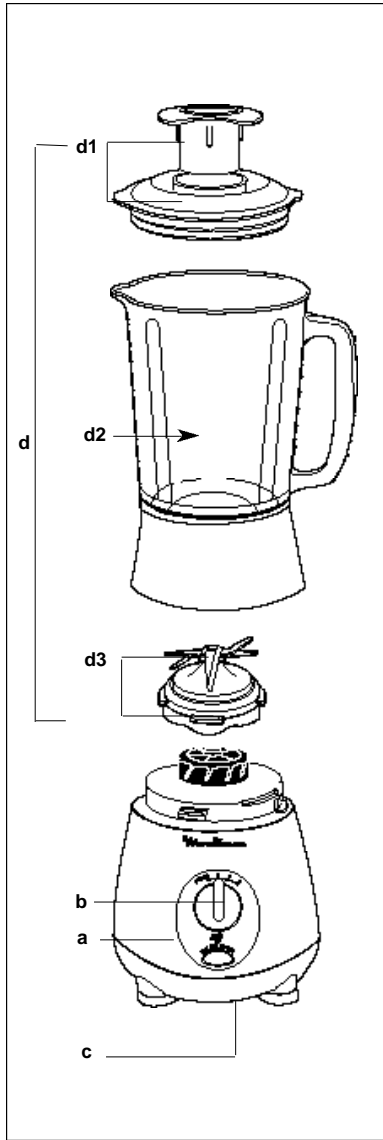


*Moulinex*





Thank you for choosing an appliance from the MOULINEX range, which is intended to make life easier for you when preparing food.

### Description

<b>a</b>	Motor unit
<b>b</b>	Speed selector (0/1/2/Pulse)
<b>c</b>	Cord winder
<b>d</b>	Blender jug
<b>d1</b>	Lid with pusher-stopper
<b>d2</b>	Glass jug
<b>d3</b>	Blade unit

### Safety instructions

- Read the instructions for use carefully before using your appliance for the first time and retain them for future reference :any use which does not conform to these instructions will absolve MOULINEX from any liability.
- Never leave the appliance within reach of children without supervision. The use of this appliance by young children or disabled persons must be supervised at all times.
- Check that the power rating of your appliance matches that of your electrical system.
- This appliance complies with the requirements of the EEC Directives 89/336/EEC and 73/23/EEC.
- This product has been designed for domestic use only. Any commercial use, inappropriate use or failure to comply with instructions, the manufacturer accepts no responsibility and the guarantee will not apply.
- Unplug your appliance as soon as you have finished using it and when you are cleaning it or in the event of a power failure.
- Do not use your appliance if it is not working correctly or if it has been damaged. If this happens, please contact an approved MOULINEX service centre (see list in the service booklet).

- Any connection error will invalidate the guarantee.
- Any intervention other than cleaning and normal maintenance by the customer must be carried out by an approved MOULINEX service centre.
- Never place the appliance, the power cord or the plug in water or in any other liquid.
- Never allow the power cord to hang down within reach of children.
- The power cord must never be close to or in contact with the hot parts of your appliance, close to a source of heat or resting on a sharp edge.
- If the power cord or the plug are damaged, do not use the appliance. To avoid any risk, these must be replaced by an approved MOULINEX service centre (see list in the service booklet).
- For your own safety, you should use only the MOULINEX accessories and spare parts which are suitable for your appliance.
- All appliances are subject to strict quality control. Practical user tests are performed with appliances selected at random, which explains any slight signs of use.
- Handle the blades with great care. They can cause injury.
- Do not let long hair, scarves, ties, etc. hang over accessories when in operation.
- Use your appliance on a flat, clean and dry surface.
- Do not put your fingers or any other object inside the blender jug while in use.
- Never run the appliance empty or with dry products only and never pour boiling liquids into it.
- Always use the blender jug with the lid in place.
- Do not use continuously for more than 1 1/2 mns. Wait for a few minutes before starting the appliance again.

## Getting started

- **Before using your new appliance for the first time**, you should wash the blender jug in hot, soapy water. Rinse and dry with care.
- **Important notes :**
- **Position the selector (b) to the setting " O " before placing the blender jug on the motor unit.**
- The appliance will only start if the blender jug is correctly positioned on the motor unit.

## Using the blender

- Dampen the seal of the blade unit **(d3)**.
- Place the blade unit **(d3)** in the jug **(d2)** and fix it in position by turning until it locks **(1)**.
- Position the blender jug **(d)** on the motor unit **(a) (2)**.
- Put all the ingredients into the jug without going over the maximum level (1,2 l). For a smoother mixture, put the liquid ingredients in first and run the blender for a moment before putting in the solid ingredients.
- Place the lid **(d1)** on the jug and lock it in position **(3)**. To make locking easier, dampen the integral seal on the lid. The lid must always be in place when the appliance is in operation.
- Plug in the appliance.
- Set the speed, using the selector **(b)**.
- To stop the appliance, turn the selector **(b)** back to position " O ".

### Tips :

- **Speed 1** : to start liquid preparations.
- **Speed 2** : to blend preparations.
- **Pulse** : instant speed obtained by successive movements of the selector **(b)** in the " Pulse " setting." Pulse " position allows you to process hard ingredients and to give a final touch to your preparation.
- For liquid preparations, cover the blades **(d3)** to avoid splashes in the interior of the jug and to facilitate the blending of the ingredients.
- For thick mixtures, you can always stop the appliance during preparation to push the ingredients back down onto the blades.
- Do not use continuously for more than 1 1/2 mns..

### Ice Crushing

- Put some ice cubes into the jug.
- Push by impulse on the " Ice Crusher " button.

## Cleaning

- Unplug the appliance.
- The blender jug will go in the dishwasher. Rinse and dry each part well.
- Clean the motor unit **(a)** using a damp cloth. Dry with care.
- Never place the motor unit in water or under running water.
- The plastic base of the glass jug **(d2)** cannot be removed.
- Handle blades with great care. They can cause injury.
- Over time the strong coloured natural juices from food such as carrots and beetroot may stain the plastic parts of your appliance - this is normal.
- This parts may be cleaned by soaking them in mild bleach (non abrasive) straight after use.

### **What to do if your appliance does not work ?**

- Check the electrical connection and/or that the blender jug is correctly positioned.

If your appliance still does not work, please contact an approved MOULINEX service centre (see list in the service booklet).

**HELPLINE:** If you have any product problems or queries, please contact our Customer Relations Team first for expert help and advice:

0845 602 1454 - UK  
(01) 4751947 - IRELAND

or consult our website -  
[www.moulinex.co.uk](http://www.moulinex.co.uk)